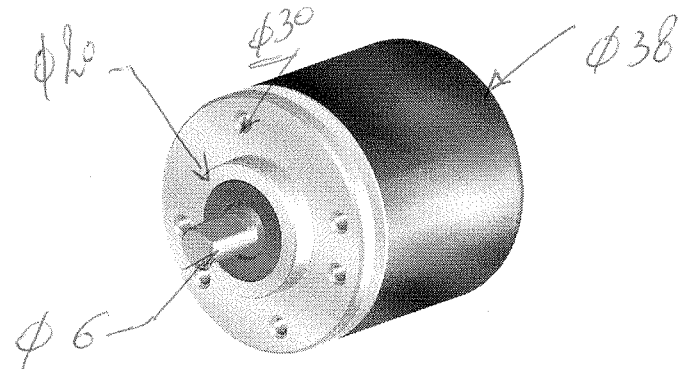


Code ST06	Project A02	Release B	Title TECHNICAL DATASHEET
---------------------	-----------------------	---------------------	-------------------------------------

OPTICAL ENCODER EN38MN

GENERAL FEATURES

- Incremental optical rotary encoder with small overall dimensions.
- Flange and body made of aluminium.
- Sealed cable output either radial or axial position.



MECHANICAL AND ELECTRICAL FEATURES

MECHANICAL <ul style="list-style-type: none"> • Flange and body made of aluminium. • Ring for high protection. • Shaft made of stainless steel. • Ball bearings. • Fixing by no. 3 screws M3 at 120° or no. 4 screws M3 at 90°. • Centring diameter 20mm. • High rotational precision. • High protection against environmental conditions. ELECTRICAL <ul style="list-style-type: none"> • Protection against shortcuts. • High stability of output signals. 	Code EN38MN	PP	L5
	Pulses per revolution	from 5 to 3600 ppr	
Max. rotating speed	momentary 8000rpm permanent 6000rpm		
Max. load on shaft	30 N (radial) – 30 N (axial)		
Shaft (diameter A x length L) mm	ø6 h7 – ø8 h7		
Protection class	IP65 (standard) * IP67 (optional)		
Operating temperature	0 ÷ 70° C		
Storage temperature	-20 ÷ 80° C		
Humidity	20 ÷ 90 % (not condensed)		
Power supply	5 ÷ 28V ± 10%		
Current consumption at 5V	40 mA		
Max. output current	40 mA	70 mA	
Max. frequency	120 kHz		
Output	Push-Pull	Line Driver	
Standard length of cable	1m		
Electrical connections	see rel. table		
Electrical protections	inversion of power supply polarity short-circuits on output port		
Weight	80 g		

* It is important to note that shaft rotates more freely in the version with protection class IP65.

ORDERING CODE

MODEL	CABLE OUTPUT	PPR	POWER SUPPLY	SHAFT Ø	CABLE	OUTPUT	OPTIONS
EN38MN	HR	xxxxx <i>00100</i>	05V <i>0528</i>	D06	M01	L5 C	V2

HR = radial
HA = axial

05V = 5V
0528 = 5÷28V

D06 = ø6mm
D08 = ø8mm

M0.5 = 0.5m
M01 = 1m
M40 = 40m_{max}

L5 C = LINE DRIVER
PP C = PUSH-PULL

No code = standard configuration
V2 = protection class IP67

Example ~~OPTICAL ENCODER EN38MN HR 00300 05V D06M01 L5 C V2~~