

承認書

SPECIFICATION FOR APPROVAL

日 期 Date	2017年2月10日
客戶品名編號 Customer's Part No.	11-01-117020L12B
品 名/規 格 Description/Specification	M-S13 DC FAN 295GS+200PVC黑套/LEAD FREE(GP)組立需做防潮处理
料 號 Part No.	
機 種 Model No.	D80BL-12/M-313
版 本 REV:	B

核 准	甘代军	核 對	林文粘	制 作	段春艳
承認簽署 APPROVED BY					



祥倫電子有限公司 (海外公司)
SHIAN LOON ELECTRONICS CO.,LTD

悅倫電子股份有限公司 (台灣)
YATE LOON ELECTRONICS CO.,LTD

公 司: 桃園縣蘆竹鄉中福村興福街130號 FAX: 886-3-3239870

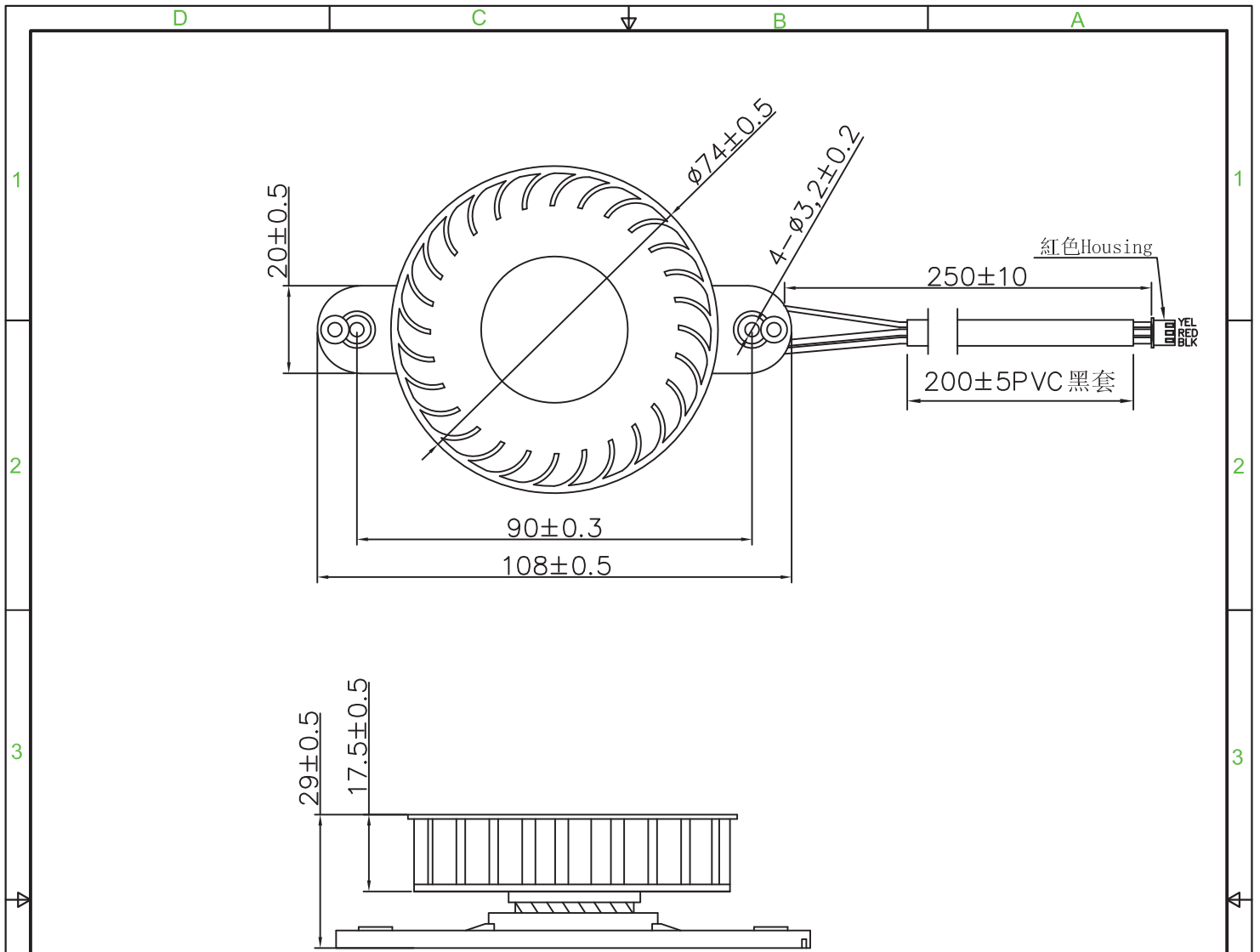
TEL: 886-3-3137775 E-mail: amy@yateloan.com.tw

東莞市悅倫電子有限公司 (內銷)

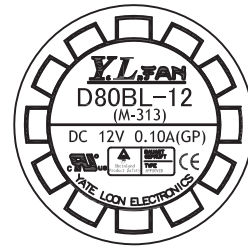
東莞市祥倫電子有限公司 (外銷)

工 廠: 廣東省東莞市清溪鎮三星管理區 FAX: 0769-38981501

TEL: 86-769-38981088 E-mail: yateloan@pub.dgnet.gd.cn



机种名称[MODEL]:	M313-295GS+200PVC黑套(GP)
外壳名称[FRAME]:	一字架(GP)
扇叶名称[IMPELLER]:	涡轮叶(GP)
线材型号[LEAD WIRE]:	UL 1007 24#/26#
线材极性[WIRE POLARITY]:	(+)RED, (-)BLACK, (FG)YELLOW
连接器型号[CONNECTER]:	HOUSING: WST 2.5 OR EQUIVALENT



注: GP:Lead Free

单位[UNIT]:	mm
-----------	----

标签颜色[LABLE COLOUR]:	金底黑字
---------------------	------


悦伦(祥伦)电子股份有限公司
YATE LOON ELECTRONICS CO.,LTD
 TEL:0769-38981088 FAX:0769-38981500

确认 [APPROVED]	甘代军
审核 [CHECKED]	林文精
绘图 [DRAWN]	段春艳
日期 [DATE]	2017年2月10日



祥倫電子有限公司 (海外公司)
SHIAN LOON ELECTRONICS CO.,LTD

悅倫電子股份有限公司 (台灣)
YATE LOON ELECTRONICS CO.,LTD

公司: 桃園縣蘆竹鄉中福村興福街130號 FAX: 886-3-3239870

TEL: 886-3-3137775 E-mail: amy@yateloan.com.tw

東莞市悅倫電子有限公司 (內銷)

東莞市祥倫電子有限公司 (外銷)

工廠: 廣東省東莞市清溪鎮三星管理區 FAX: 0769-38981501

TEL: 86-769-38981088 E-mail: yateloan@pub.dgnet.gd.cn

規格承認書

SPECIFICATION APPROVAL SHEET

A. 一般規格 (General Specification)

項目(Item)		規格/條件(Specification/Condition)		
A-1	型號(Part No.)	D80BL-12/M-313		
A-2	額定電壓(Rating Voltage)	DC 12V		
A-3	電壓範圍(Voltage Range)	DC6.5V~DC13.8V		
A-4	起動電壓(Starting Voltage)	≤6.5V(ON/OFF)		
A-5	安規標籤電流(Safty Label Current)	0.10A		
A-6	穩定工作電流(Steady Working Current)	Normal 0.12A	Max 0.14A	a. 額定電壓(Rating Voltage)
A-7	消耗功率(Power Consumption)	Normal 1.44W	Max 1.68W	b. Test after 5 MIN
A-8	穩定後轉速(Steady Speed)	2000±10%R.P.M		a. 25°C, 65% RH b. 自由空氣(Free Air) c. 額定電壓(Rating Voltage) d. Test after 5 MIN
A-9	噪音(Noise)	Normal 23dB(A)	Max 26dB(A)	a. 額定電壓(Rating Voltage) b. 無響室測試(Measured in a Acoustic room) c. CNS 8753標準(Standard) d. ISO 3744測試條件(Test Condition) e. 測試距離1m(Test distance 1m from intake) f. Test after 5 MIN
A-10	壽命(Life Expectancy)	50000 Hrs		a. 額定電壓(Rating Voltage) b. 實際環境溫度25°C (Actual environment temperature 25°C)
A-11	極數(No. of Polar)	4極(Polar)		
A-12	運轉方向(Rotating Direction)	從扇葉面看, 逆時針運轉(Counter-Clockwise view from impeller side)		



祥倫電子有限公司 (海外公司)

SHIAN LOON ELECTRONICS CO.,LTD

悅倫電子股份有限公司 (台灣)

YATE LOON ELECTRONICS CO.,LTD

公司: 桃園縣蘆竹鄉中福村興福街130號 FAX: 886-3-3239870

TEL: 886-3-3137775 E-mail: amy@yateloan.com.tw

東莞市悅倫電子有限公司 (內銷)

東莞市祥倫電子有限公司 (外銷)

工廠: 廣東省東莞市清溪鎮三星管理區 FAX: 0769-38981501

TEL: 86-769-38981088 E-mail: yateloan@pub.dgnet.gd.cn

B. 電氣規格(Electrical Specification)

項目(Item)		規格/條件(Specification/Condition)
B-1	扇叶鎖住保護 (Locked Rotor Protection)	鎖住扇葉後,保持鎖定電流2小時,馬達不會死掉。 (Impedance of motor winding protects motor from fire in 2 hours of locked rotor condition at the rated voltage.)
B-2	極性保護(Polarity Protection)	Vcc與GND反接時,10秒內線路不燒壞。 (Circuit is protected when Vcc & GND are exchanged,the circuit won't be burned mithin 10seconds)
B-3	絕緣阻抗 (Insulation Resistance)	10MΩ/裸線與外框間測量,500VDC/min. (10MΩ/b/w unshielded wire and frame at 500 VDC/min)
B-4	絕緣耐壓 (Dielectric Strengt)	5mA Max./導線與外框間測量,500VAC/min. (5mA Max./Measured b/w lead wire (+) and frame at 500VAC/min)

C. 主要材料/零件規格(Main Materials/Parts Specification)

材料/零件(Materials/Parts)		規格(Specification)
C-1	塑膠材料/扇葉、外框 (Plastic Material/Blade,Housing)	PBT with glass fiber 94V-0
C-2	風扇重量(FAN Weight)	61.2±10%g
C-3	滾珠軸承/含油軸承/液壓含油軸承 (Ball Bearing/Sleeve Bearing/HYB)	雙滾珠軸承 (Two Ball Bearing)
C-4	導線(Lead Wire)	UL 1007, 24/26AWG,(+)Red, (-)Black (FG)Yellow
C-5	端子(Connector)	3P 端子間距為2.5mm 3Pin connector with 2.5mm pitches between wires



祥倫電子有限公司 (海外公司)
SHIAN LOON ELECTRONICS CO.,LTD

悅倫電子股份有限公司 (台灣)
YATE LOON ELECTRONICS CO.,LTD

公司: 桃園縣蘆竹鄉中福村興福街130號 FAX: 886-3-3239870
TEL: 886-3-3137775 E-mail: amy@yateloan.com.tw

東莞市悅倫電子有限公司 (內銷)
東莞市祥倫電子有限公司 (外銷)

工廠: 廣東省東莞市清溪鎮三星管理區 FAX: 0769-38981501
TEL: 86-769-38981088 E-mail: yateloan@pub.dgnet.gd.cn

D. 安規/環保(Safety Approvals/Rohs)

D-1	安規 (Safety Approvals)	UL(編號:E189702)
		TUV(編號:R09954588)
		CE(EMC)(編號:G030014.80)
D-2	環保標準 (ROHS compliant)	ROHS 2.0

E. 環境測試(Environmental Specification)

項目(Item)		規格/條件(Specification/Condition)
E-1	運轉溫/濕度範圍 (Operating Temp./Humidity Range)	溫度/Temperature:-10°C~60°C 濕度/Humidity:35%~85% RH
E-2	保存溫/濕度 (Storage Temp./Humidity) 不使用時間範圍(Don't Use To Keep The Time Range)	溫度/Temperature:-10°C~75°C 濕度/Humidity:35%~85% RH 時間/Times:One Year

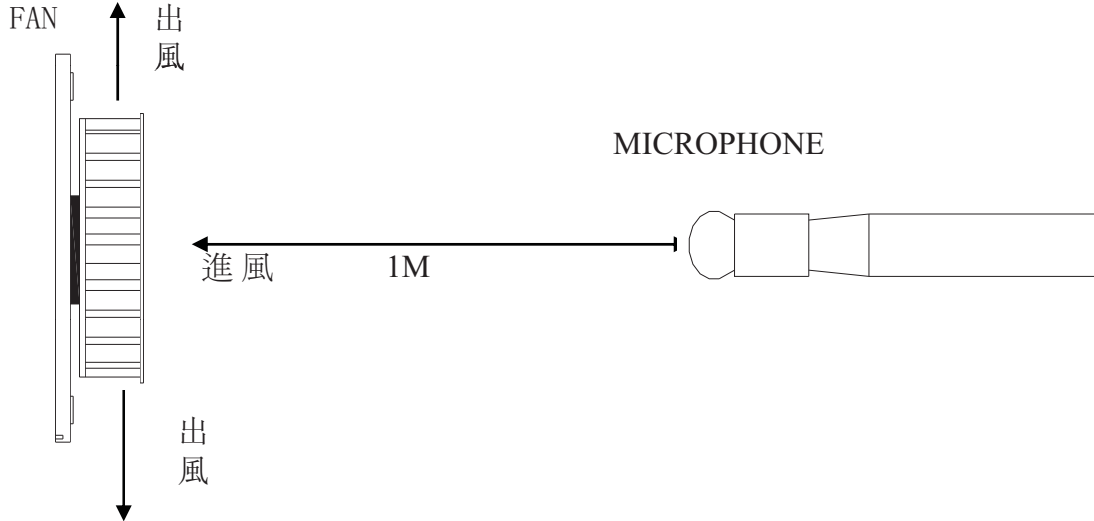
F. 商標(Label Marking)

F-1	型號(Model No.)
F-2	額定電壓(Rating Voltage)
F-3	標籤電流(Label Current)
F-4	安規(Safety Approvals)
F-5	品牌(Brand)



祥倫電子有限公司(境外公司)
SHIAN LOON ELECTRONICS CO., LTD
悅倫電子股份有限公司(台灣)
YATE LOON ELECTRONICS CO., LTD
TEL:886-3-3137775 E-mail:amy@yateloon.com.tw
東莞市耐福電子有限公司(外銷)
東莞市悅倫電子有限公司(內銷)
地址:廣東省東莞市清溪鎮三星管理區 FAX:0769-38981500
TEL:0769-38391088 E-mail:yateloon@pub.dgnet.gd.cn

G. NOTE:NOISE TEST CONDITION.



NOISE IS MEASURED AT RATE SPEED
IN ACOUSTIC CHAMBER WITH B&K
SOUND LEVEL METER.
BACKGROUND NOISE:MAX 18dB(A).

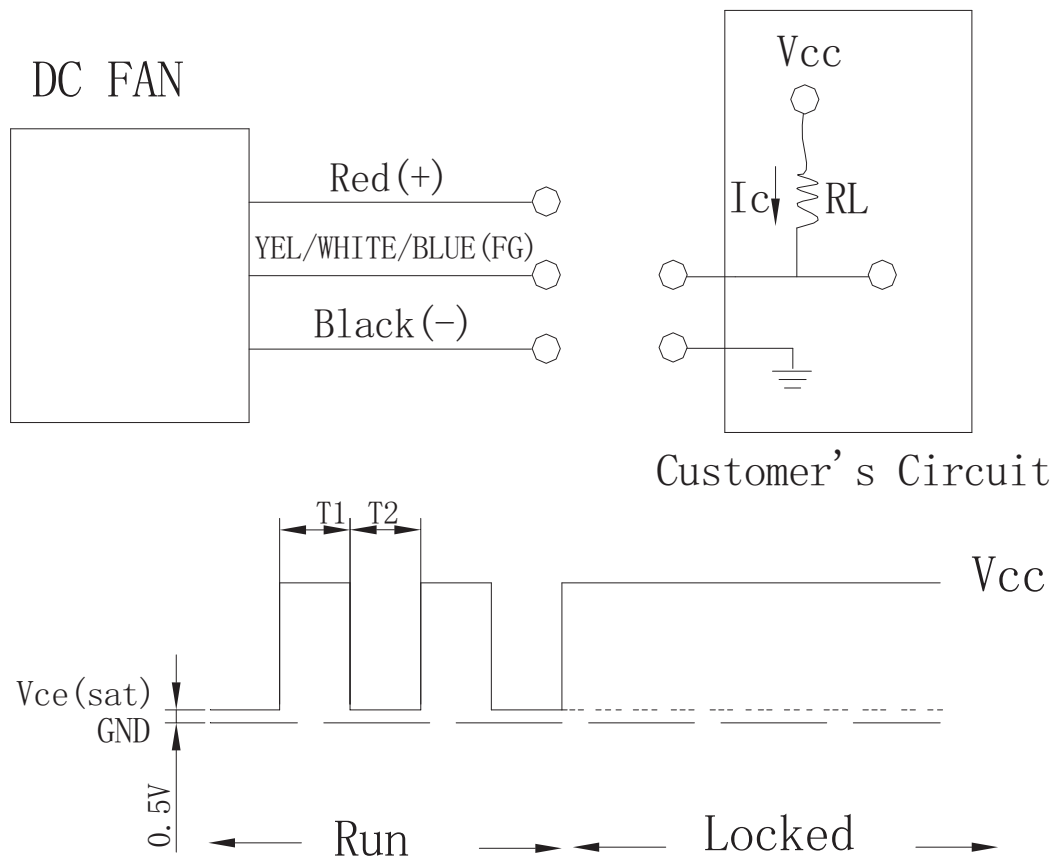
3rd wire signal:

Run: Square Wave

Locked: VH/VL

t2:F Type has open collector circuit

Designed for rpm measurement



VCC=+15V max

IC=5mA max

$$I_C = \frac{V_{CC} - 0.5V}{R_L}$$

$$\frac{T_1}{T_1 + T_2} = \frac{1}{2} \pm 5\%$$

Zertifikat Certificate



Zertifikat Nr. *Certificate No.* R 09954588
Blatt *Page* 0020

<i>Ihr Zeichen Client Reference</i>	<i>Unser Zeichen Our Reference</i>	<i>Ausstellungsdatum</i>	<i>Date of Issue (day/mo/yr)</i>
R481307/Sporton	ZTW1-SSY- 09964721 014	20.08.2014	

Genehmigungsinhaber License Holder
Yate Loon Electronics Co., Ltd.
No. 130, Xingfu St.
Luzhu Shiang, Taoyuan County 338
Taiwan

Fertigungsstätte Manufacturing Plant
SHIAN LOON ELECTRONICS CO., LTD
A. NO 36, puxing west road,
sanxing industrial zone,
qingxi town, dongguan city,
guangdong province 523656
P.R. China

Prüfzeichen Test Mark



Geprüft nach Tested acc. to
EN 60950-1:2006+A11+A1+A12+A2

Zertifiziertes Produkt (Geräteidentifikation)
Certified Product (Product Identification)

Lizenzentgelte - Einheit
License Fee - Unit

Ventilator (DC Fan)

wie Blatt (as page) 01

Änderung
(Change)

Prüfgrundlage : siehe oben
(Test Requirement) (see above)

ANLAGE (Appendix): 1

Dem Zertifikat liegt unsere Prüf- und Zertifizierungsordnung zugrunde und es bestätigt die Konformität des Produktes mit den oben genannten Standards und Prüfgrundlagen. Zusätzliche Anforderungen in Ländern, in denen das Produkt in Verkehr gebracht werden soll, müssen zusätzlich betrachtet werden. Die Herstellung des zertifizierten Produktes wird überwacht.
This certificate is based on our Testing and Certification Regulation and states the conformity of the product with the standards and testing requirements as indicated above. Any additional requirements in countries where the product is going to be marketed have to be considered additionally. The manufacturing of the certified product is subject to surveillance.

TÜV Rheinland LGA Products GmbH - Tillystraße 2 - 90431 Nürnberg
Tel.: (+49/221)8 06 - 13 71 e-mail: cert-validity@de.tuv.com
Fax: (+49/221)8 06 - 39 35 http://www.tuv.com/safety

Zertifizierungsstelle



Albin Yang



Appendix to TÜV type approved Certificate No.: R 9954588

Kind of equipment : DC Fan
 Report number : 09964721 002

Model	Rated Input
D40BM-5A	5 V dc, 0.14 A
D40SM-5A	5 V dc, 0.14 A
D40BM-12A	12 V dc, 0.15 A
D40BM-12B	12 V dc, 0.10 A
D40SM-12B	12 V dc, 0.10 A
D40BH-12B	12 V dc, 0.14 A
D40SH-12B	12 V dc, 0.14 A
D45BM-12A	12 V dc, 0.08 A
D45SM-12A	12 V dc, 0.08 A
D50BM-12A	12 V dc, 0.15 A
D50SM-12A	12 V dc, 0.10 A
D60BH-12	12 V dc, 0.18 A
D60SH-12	12 V dc, 0.18 A
D60SM-12	12 V dc, 0.14 A
D60BM-12C	12 V dc, 0.14 A
D60SM-12C	12 V dc, 0.14 A
D60BH-12C	12 V dc, 0.18 A
D60BH-24C	24 V dc, 0.13 A
D80BL-12	12 V dc, 0.10 A
D80BM-12	12 V dc, 0.14 A
D80BH-12	12 V dc, 0.18 A
D80SH-12	12 V dc, 0.18 A
D80BL-12C	12 V dc, 0.12 A
D80SL-12C	12 V dc, 0.12 A
D80BM-12C	12 V dc, 0.16 A
D80SM-12C	12 V dc, 0.16 A



INDEX

Product	Section	Cat. Nos.	Requirements Evaluated to (USR / CNR)
DC Fans	1	D60 (X)H-12 (Y), D60 (X)V-12 (Y) , D60 (X)M-12 (Y), D60 (X)H-12A and D60 (X)M-12A series, where (X) may be B or S; (Y) may be C or blank.	USR / CNR
	2	DX-HF80M, D80 (X) (Y)-12 (M-SSS) series, where (X) may be B or S; (Y) may be H, M or L; M or S may be 0 through 9, A through Z or blank.	USR / CNR
	3	D40SM-12C, -12A, D40BM-12C, -12A, D40SM-5A, D40BM-5A.	USR / CNR
	4	D45SM-12A, D45BM-12A.	USR / CNR
	5	D50SM-12A, D50BM-12A.	USR / CNR
	6	D50SM-12A, D50BM-12A.	USR / CNR
	7	D90SH-12, -24, D90BH-12, -24, D90SM-12, D90BM-12, D90SL-12, D90BL-12.	USR / CNR
	8	D12SM-12, D12BM-12.	USR / CNR
	9	DVWX-YZ (M-SSS) series, where V may be 60 or 80; W may be S or B, X may be H or M, Y may be 12 or 24, Z may be B, C or blank; M may be 0-9, A-Z or blank, S may be 0-9 or A-Z or blank. D60SH-24C, D60BH-24C, D80SH-12B, D80BH-12B, D80SM-12B, D80BM-12B, D80SH-12C, D80BH-12C, D80SM-12C, D80BM-12C, D80SL-12C, D80BL-12C, D80SH-24, D80BH- 24, D80SM-24, D80BM-24.	USR / CNR
	10	Models DX-HF120M, D30 (X) (Y)-12A, D40 (X) (Y)-12B, D50 (X) (Y)-12B, D70 (X) (Y)-12B, D70 (X) L-12, D70 (X) (Y)-12, D12 (X) (Y)-12D, D12 (X) L-12, D12 (X) H- 12, D12 (X) (Y)-24D, D12 (X) (Y)-24 series, followed by ((M)-(S) (S) (S)); where (X) may be S or B; (Y) may be M or H; (M) (S) may be 0-9 or A-Z or blank.	USR / CNR
	11	Models D40BM-24B and D40BM-24C.	USR / CNR
	12	Models D12SH-12 (F), D12BH-12 (L-SSS), D12 (X) M- 12 (L-SSS), D12 (X) L-12 (L-SSS) and D14 (X) (Y)-12 (L- SSS) series, where (X) may be S or B; (Y) may be H, M or L; (L-SSS), where L and S may be 0 through 9, A through Z or blank.	USR / CNR
	12	Models D40 (X) (Y)-12E (M-SSS) series, where (X) may be S or B; (Y) may be H, M or L; (M-SSS), where M and S may be 0 through 9, A through Z or blank.	USR / CNR



EU Declaration of Conformity



according to the EMC Directive 89/336/EEC
& Low voltage Directive 73/23/EEC, 93/68/EEC

For the following equipment:

Product : DC fan

Type Designation/Trademark : D-xxwy-zzT(M-SSS) M-3XXYY

Where D may be B

Where xx:size=25;30;40;50;60;70;80;90;120;140mm. W=BorS ; where B-ball bearing and S- sleeve bearing . Y=speed-H;M;L; where H-high speed ; M-medium;L-low. ZZ=5;6;9;12;18;24;48Vdc .

T=Thinkness(mm) A=10;B=15;C=20;D=38;F=7,Blank=25 .

M-SSS=Operation codes ,where M and S may be 0 through 9,A through Z or blank.

M-3XXYY : where X and Ymay be 0 through 9,A through Z or blank.

TRADE MARK: YaLn FAN

is herewith confirmed to comply with the requirements set out in the Council Directive 89/336/EEC, 73/23/EEC & 93/68/EEC on the Approximation of the Laws of the Member States relating to Electromagnetic Compatibility and Low Voltage Directive. For the evaluation of the compliance with this Directives, the following standards were applied:

EN 60950-1: 2006+A11:2009+A1:2010+A12:2012

EN 55014-1: 2006+A1:2009+A2:2011 ; EN55014-2: 1997+A1:2001+A2:2008

EN 55022: 2010+AC:2011

Responsible for making this declaration is the:

Manufacturer Authorized representative established within the EU

Authorized representative established within the EU (if applicable):

Company Name :

Company Address :

Person responsible for making this declaration

Name, Surname : Steven

Position/Title : Engineer

China

Feb 1.2013

YATE LOON ELECTRONICS CO.,LTD.

(Place)

(Date)

(Company stamp and legal signature)

