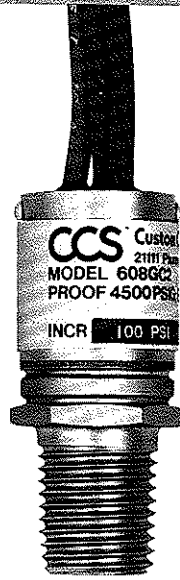
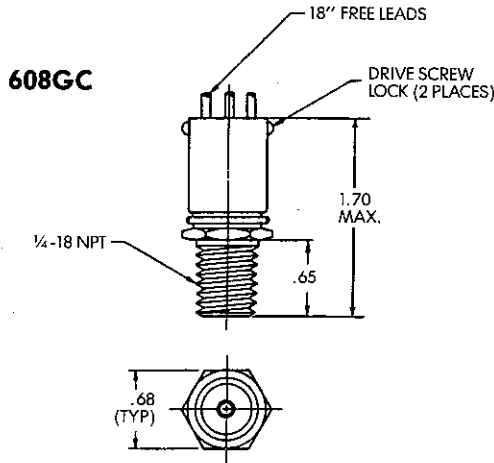


INSTALLATION DRAWING



SHIPPING WT.
APPROX. 4.5 OZ.
(128 GRAMS)

Press. 4 to 600 psi

**SERIES:
608GC**

Standard Features:

- External Parts: Stainless Steel Construction
- NEMA: 4, 13
- WEATHERPROOF
- Internal Case Ground

AMBIENT TEMP. RANGE

-30°F to +160°F
-34°C to 71°C

OPERATING AND ORDERING DATA:

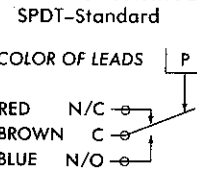
PRESSURE SWITCHES		300 SERIES STAINLESS STEEL PRESSURE CAPSULE • 1/4" PORT					
Maximum System Pressure psi	Proof (Test) Pressure psi	Setting Ranges—For Customer Specified Set Points				Model No. and Wetted Parts	
		Fixed Set Point Range		Approx. Dead Band		MODEL SPDT-Std.	Wetted Parts
		On Increasing Pressure psi	On Decreasing Pressure psi	At Bottom of Range psi	At Top of Range psi		
3000	4500	8 to 35 36 to 300 301 to 600	4 to 30 28 to 255 248 to 510	4 8 53	5 45 90	608GC1 608GC2 608GC3	300 SS 316 SS

ELECTRICAL CHARACTERISTICS:

Rating of Switch Element

VOLTS	AMPERES
	SPDT Res.
125 AC-50/60 Hz	7
250 AC-50/60 Hz	7
28 DC	7

SCHEMATIC AND WIRING CODE



HOW TO ORDER:

1. Specify model number.
2. Specify critical set point and specify if it is on "increasing pressure" or "decreasing pressure."