



WAT Motor
Sanayi ve Ticaret A.Ş.

Three Phase Squirrel Cage Induction Motor

Motor type Q3HFB112M4E40



Electrical Data

RATED VALUES							STARTING VALUES			BREAKDOWN	EFFICIENCY			EFFICIENCY CLASS				
VOLTAGE	POWER		SPEED	CURRENT	TORQUE	cos φ	CURRENT		TORQUE		TORQUE	%			IEC 60034-30-1			
V	kW	Hz	rpm	A	Nm	4/4	I _A / I _N	Y	D	M _A / M _N	Y	D	Mk / Mn	Nm	4/4	3/4	2/4	IE
400/690	5,5	50	1443	11,25/6,5	36,40	0,8	2,8	8,3	1,0	3,1	3,8	IE3-89,6%	89,2	88,3				IE3
460/795	6,3	60	1732	11,0/6,35	34,73	0,79	2,7	8,051	1,0	2,95	3,7	-	-	-				

Mechanical Data

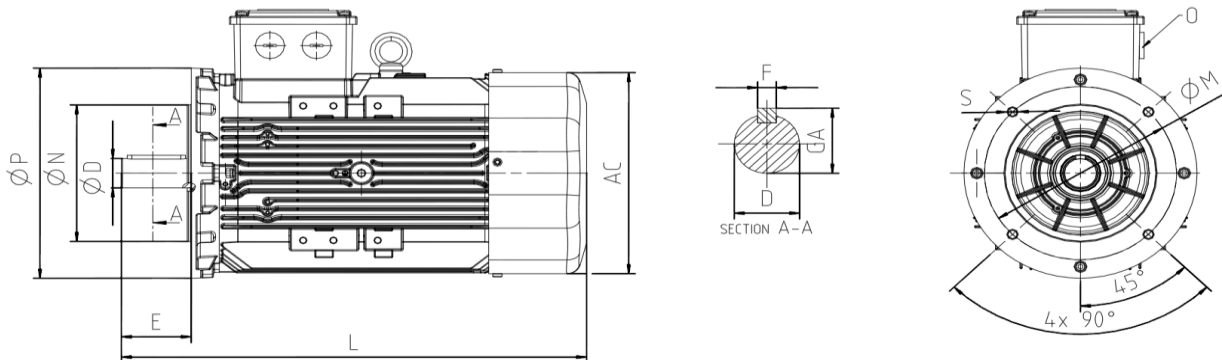
Bearing DE	6306-ZZ	Color	RAL 6011
Bearing NDE	6206-ZZ	Motor protection	No
Lubricants	Shell Gadus S2 V100Q2	Method of cooling	IC 411
Condensation drain hole	No	Terminal box position	Top
External earthing terminal	Yes	Material of terminal box	Aluminium
Vibration class	A	Terminal plate thread	M5
Insulation Class	F	Cable gland	1xM25
Duty type	S1	Clamping range	13-18 mm
Direction of rotation	Clockwise	Mounting type	IM 3601 (B14-B)
Housing material	Aluminium		
Type of balancing	Half Key		

Environmental Data

Others

Ambient Temperature	-20 / + 40 °C	Type of protection	IP 55
Altitude above sea level	1000 m	Sound Pressure Level 50/60Hz dBA	57
		Moment of Inertia (kg.mm ²)	0,0152665
		Standard	IEC 60034-1
		Weigh (Kg)	39,856

Dimensions



Main Dimensions		Foot Mounted Motors					Shaft				Flange Mounted Motors				
AC	L	B	A	H	HD	K	C	D	E	GA	F	P	N	M	R
210	421	-	-	-	-	-	70	28	60	31	8	200	130	165	-